

Differential Pressure Gauges Model A2G-10, air2guide P



WIKA Data Sheet PM 07.40

Applications

- For dry, clean, non-aggressive gases, usually air
- Fan and blower monitoring
- Differential pressure monitoring in filters
- Overpressure monitoring in cleanrooms
- For very low pressures

Special Features

- Zero adjustment in front
- Red mark pointer
- Simple mounting and dismounting
- Two-part construction (measuring element and case)
- Optional version with additional electrical output signal (air2guide P+E, see data sheet PV 17.40)



**Differential Pressure Gauge air2guide P
Model A2G-10**

Description

Design

Per EN 837-3 and ventilation and air conditioning (VAC) regulations

Nominal size in mm

110

Accuracy class

3.0

Scale ranges

0 ... 50 Pa to 0 ... 12500 Pa
-25 ... +25 Pa to -125 ... +125 Pa
other plus/minus ranges on request

Pressure limitation

Steady: full scale value
Fluctuating: full scale value

Overpressure safety

20 kPa

Max. working pressure (static pressure)

20 kPa

Operating temperature

Ambient: -30 ... +80 °C
Medium: -16 ... +50 °C
Storage: -30 ... +80 °C

Temperature effect

When the temperature of the measuring system deviates from the reference temperature (+20 °C):
max. $\pm 0.4 \%$ / 10 K of full scale value

Ingress protection

IP 54 per EN 60 529 / IEC 529

Standard version

Process connection

Plastic,
lower mount (LM) or back mount
G 1/8 (female) for hose connector
Hose connection inner diameter 4 or 6 mm

Standard accessories

- 3 fixing screws
- Straight or angled threaded pressure connection G 1/8 for inner diameter 4 or 6 mm

Diaphragm

Silicone

Movement

Contact-free transmission

Dial

Aluminium, scale angle 90°

Pointer and mark pointer

Plastic

Basic case and case for wall mounting

Plastic

Window

Makrolon

Case for panel mounting and mounting ring

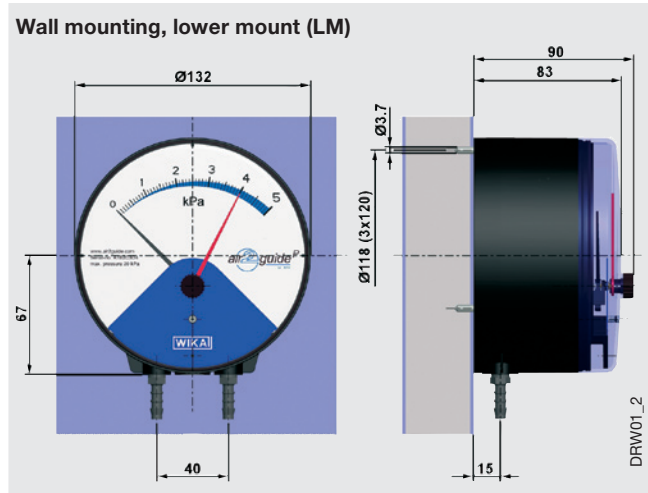
Plastic

Options

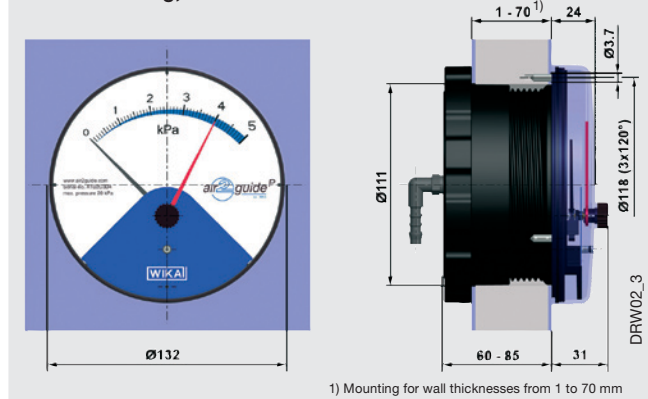
- Ingress protection IP 65
- Internationally recognised traceable calibration certificate
- Measuring hose inner diameter 4 or 6 mm, in lengths between 1 and 3 m
- 2 plastic duct connectors
- Output signal 4 ... 20 mA, 2-wire, power supply 14 VDC or Output signal 0 ... 10 V, 3-wire, power supply 15 VDC (see data sheet PV 17.40)

Dimensions in mm

Standard version



Panel mounting, back mount



Ordering information

Model / Connection location / Wall mounting or panel mounting / Inner diameter of the threaded pressure connection / Scale range / Options

Modifications may take place and materials specified may be replaced by others without prior notice.
Specifications and dimensions given in this leaflet represent the state of engineering at the time of printing.