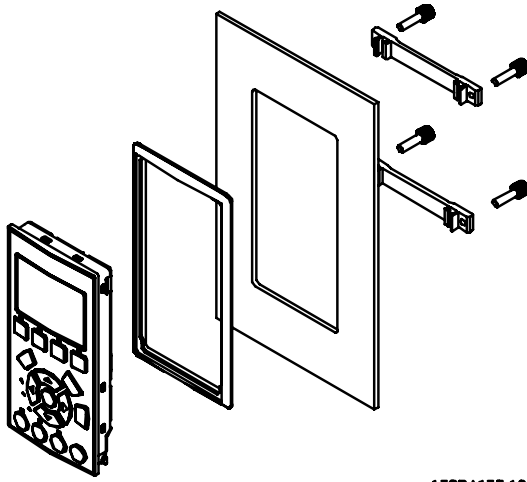
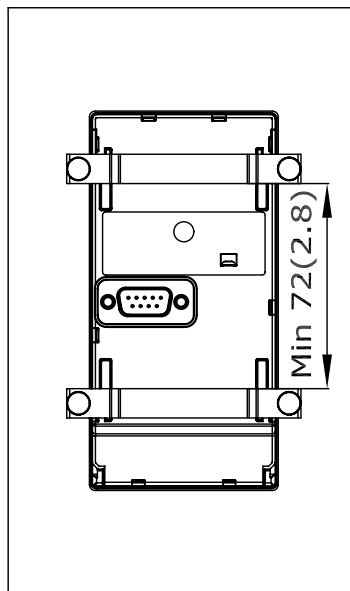
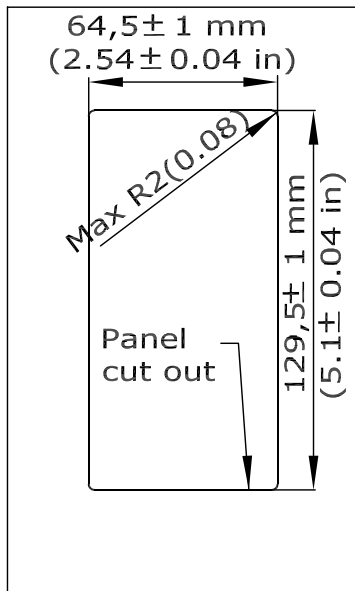


■ LCP Frontmounting Kit IP55

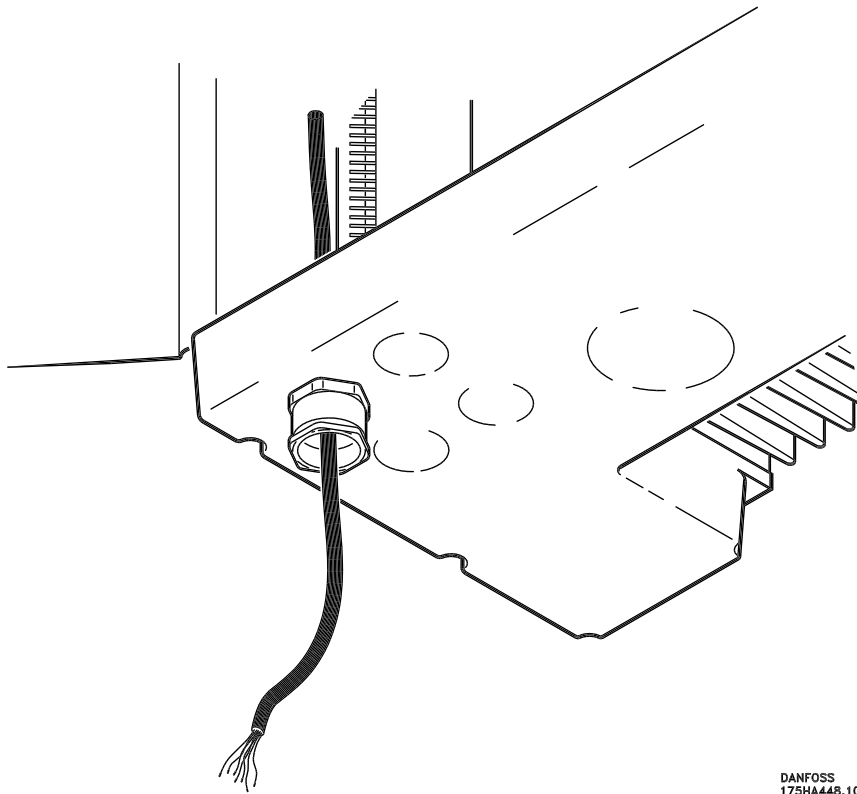


130BA138.10

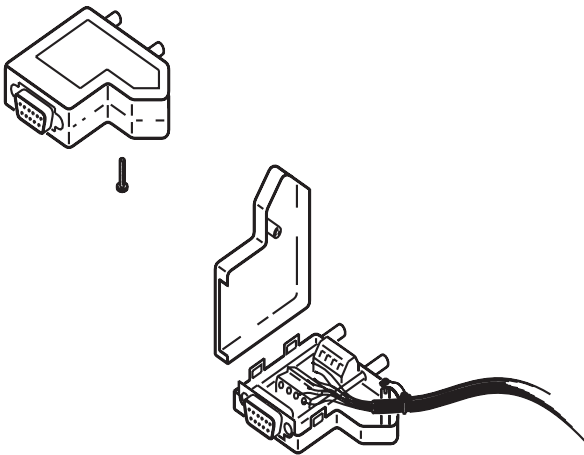
Installation and Mounting Instructions



130BA139.11



DANFOSS
175HA448.10



130BA765.10

	Dansk	English	Deutsch	Francais	
A					B
1	Sort	Black	Schwarz	Noir	1
2	Brun	Brown	Braun	Marron	2
3	Rød	Red	Rot	Rouge	3
4	Gul	Yellow	Gelb	Jaune	4
5	Grøn	Green	Grün	Vert	5
6	Blå	Blue	Blau	Bleu	6
7	Lilla	Purple	Lila	Violet	7
8	Grå	Grey	Grau	Gris	8
9	Hvid	White	Weiss	Blanc	9

DANFOSS
175HA451.11

Danfoss can accept no responsibility for possible errors in catalogues, brochures and other printed material. Danfoss reserves the right to alter its products without notice. This also applies to products already on order provided that such alterations can be made without subsequential changes being necessary in specifications already agreed. All trademarks in this material are property of the respective companies. Danfoss and the Danfoss logotype are trademarks of Danfoss A/S. All rights reserved.